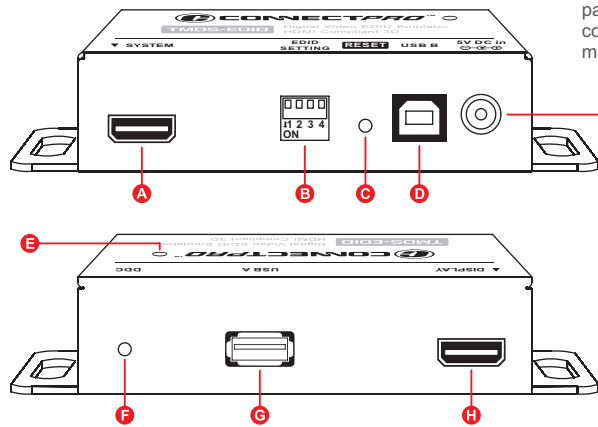


TMDS-EDID

Digital Video EDID Emulator / HDMI Compliant 3D

Installation Guide

Unit View



Note :
Default EDID information is not optimal for the particular display being used. It is a generic configuration with standard resolutions that might function with a variety of displays.

Power input regulated
DC 5V 2000 mA

- A System
- B EDID setting
- C Reset
- D USB B
- E DDC indicator
 - * Green = Default EDID
 - * Orange = Cloned EDID
- F DDC button
- G USB A
- H Display

DIP Switch for Default Resolution

The TMDS-EDID provides 8 different default video resolution combinations which can be freely selected by shifting the HDMI EDID DIP Switch.

The description of each resolution combination is listed in the Selection Table below :

Selection	SW2	SW3	SW4	Resolution	1 2 3 4
1	OFF	OFF	OFF	1080P, 1080i, 720P, 480P	■ ■ ■ ■
2	ON	OFF	OFF	1080i, 720P, 480P, 480i	■ ■ ■ ■
3	OFF	ON	OFF	720P, 480P, 480i, 576P	■ ■ ■ ■
4	ON	ON	OFF	480P, 480i, 576P, 576i	■ ■ ■ ■
5	OFF	OFF	ON	480i, 576P, 576i, 240P	■ ■ ■ ■
6	ON	OFF	ON	576P, 576i, 240P	■ ■ ■ ■
7	OFF	ON	ON	576i, 240P	■ ■ ■ ■
8	ON	ON	ON	240P	■ ■ ■ ■

SW1 ON EDID Clone Enable ■ Switch
SW1 OFF EDID Clone Disable □ None

Features & Benefits

- HDCP compatible
- HD resolution and refresh rate emulation
- Standard EDID data
- Full EDID Cloning
- Default & clone selectable
- LED indication
- Easy and compact design for installation and operation
- Display side booster capability

Installation

To use cloned EDID information (Orange light means " Cloned ")

- 1 Connect the optional DC 5V/2A power adaptor or USB cable (B connector) to supply DC power
 - 2 Connect HDMI cable from display to HDMI port
 - 3 Press the DDC button (The light will flash 3 times when a display is initially cloned. When the light changes from green to solid orange, the clone has succeeded.)
 - 4 Connect HDMI cable between system and HDMI port
- Special note :**
In the majority of cases, the emulator should be used in "clone" mode to provide optimal display settings for the display being used. In the event that this is not possible (the display does not provide DDC/EDID information, or it is otherwise not possible), the emulator should be used in default mode. The EDID information used in default mode is not for optimal viewing, but rather to still provide a stable operating environment.

To use default EDID information (Green light means " Default ")

- 1 Connect the optional DC 5V/2A power adaptor or USB cable (B connector) to supply DC power. (While the green light is on.)
- 2 Connect HDMI cable from display to HDMI port
- 3 Connect HDMI cable between system and HDMI port
- 4 Select one default resolution combination, then press RESET button

Application Connection Diagram

Step 1

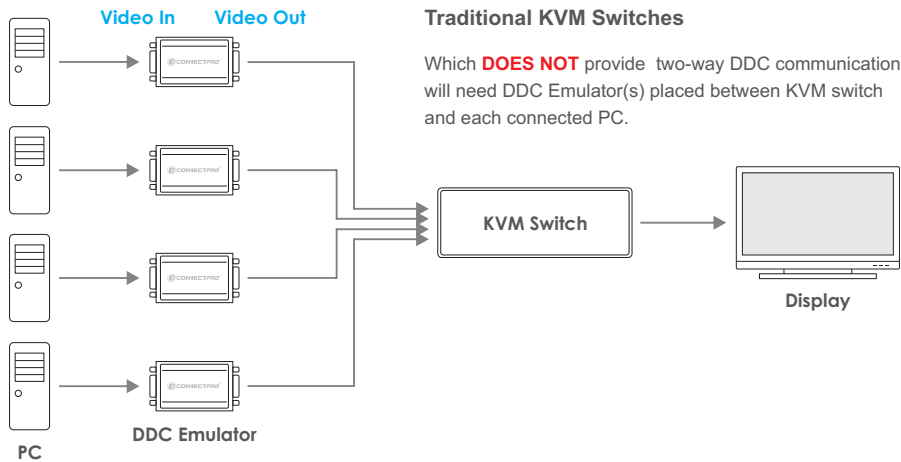
To clone EDID information first. Connect emulator to the monitor.



Special note:

Emulator's power supply has to be connected via DC jack or USB-A/B first.

Step 2 for KVM



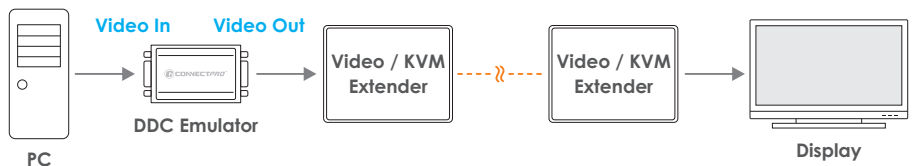
Traditional KVM Switches

Which **DOES NOT** provide two-way DDC communication will need DDC Emulator(s) placed between KVM switch and each connected PC.

Step 2 for Video / KVM extender

Old Video or KVM extender

Which **DOES NOT** provide two-way DDC communication will need DDC Emulator placed between extender unit and PC.



Specification

TMDS-EDID	
Functional	
LED indication	Green – power on, Orange – clone indication
Clone EDID	Push button switch
Cable	1ft HDMI cable
Power supply	USB or 5V / 2A DC adaptor
Power consumption	1 W
Bandwidth	2.25 Gbps
Resolution	Max. 1920 x 1200 @ 60Hz
Audio	LPCM 7.1, 5.1 or 2 channel / compressed digital bit-stream
HDCP	Hardware HDCP engine (pre-programmed)
Connectors	HDMI x 2
Mechanical	
Dimensions H x W x D	27 x 70 x 103 mm (1.06 x 2.76 x 4.06 inch)
Weight	113 g (0.25 lb)
Certification	
FCC, CE	

Ordering Information

Model	Description
TMDS-EDID	Digital Video EDID Emulator / HDMI Compliant 3D with HDCP
Optional part / accessory	
Cables	
UC-AB-04	4-ft USB A-to-B cable
HDMI-202-1	1-ft Male-to-Male HDMI cable
Power Adaptor	
PAUS-DC5V2A	Power supply DC 5V (2000 mA) - AC 110/220V for USA
* Any other interface is available upon request	

ConnectPRO - USA, Taiwan
www.connectpro.com

Corporate Office

20525 Paseo Del Prado Walnut, CA 91789, USA
Tel +1-909-444-9288 Fax +1-909-444-9289

Design Center and Operational Hubs

13F., No.120, Sec. 1, Sanmin Rd., Banciao Dist.,
New Taipei City 220, Taiwan, R.O.C..
Tel +886-2-8964-2700 Fax +886-2-8964-2977

